

## Single Leaf Flood Window

### Water Tight

(water side is hinge side)

**up to 1,5 m WS (water column)**

### Optional Audited Additional Functions

- Sound Insulation	<b>up to 36 dB</b>	tested acc. to EN ISO 10140-2
- Burglar Protection	<b>RC2/RC3</b>	tested acc. to EN 1627
- Air Tight	<b>up to class 4</b>	tested acc. to EN 1026
- Rain- and Fire-Water Tight	<b>class 7A</b>	tested acc. to EN 1027
- Thermal Insulation	<b>up to 1,4 W/(m<sup>2</sup>K)</b>	tested acc. to EN 10077
- Stainless Steel		

### Range of Dimension

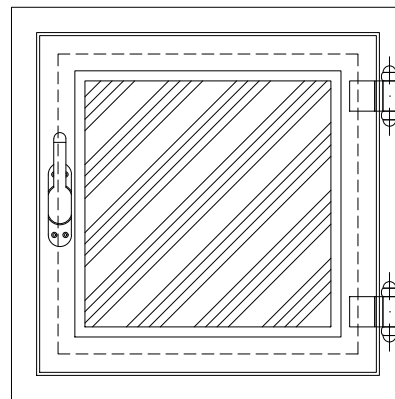
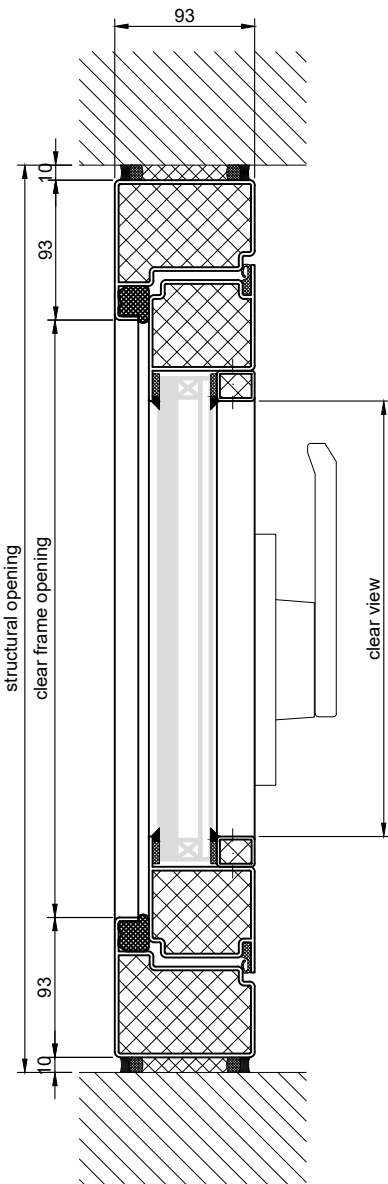
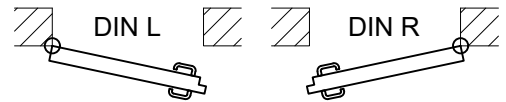
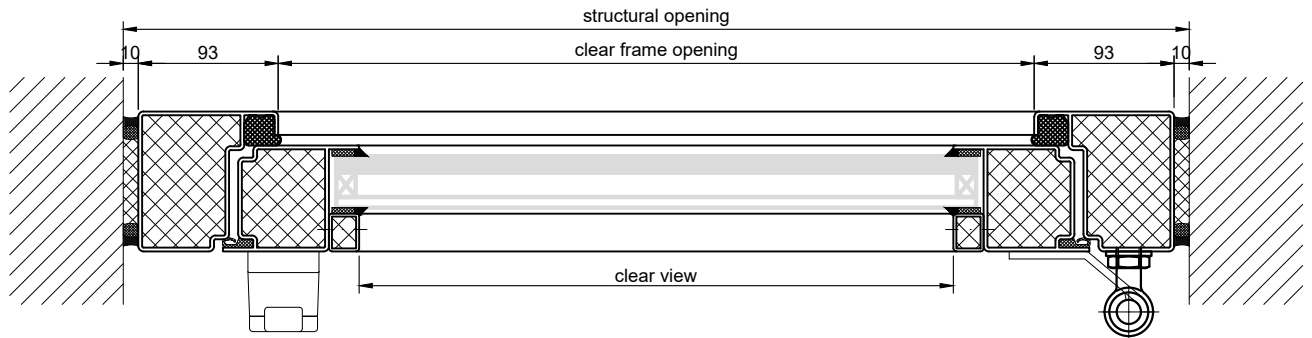
**Width from 500 mm to 1000 mm**  
**Height from 500 mm to 1500 mm**

### Technical Specification and Tender Text

<b>Product:</b>	<b>HF 50-1 single leaf flood window brand Buchele</b>
<b>Door Type:</b>	<b>HF 50-1</b>
<b>Water Tight:</b>	<b>up to 1,5 m WS (water side is hinge side)</b>
<b>Structural Opening:</b>	<b>.... x .... mm</b>
<b>Frame:</b>	4-sided insulating block frame, 93 mm thick with 4-sided sealing profile in the rebate.
<b>Window Leaf:</b>	4-sided circumferential insulating hollow profile with glazing lug on one side and one side with glazing frame 4-sided circumferential, visible screwed with the base profile. 2 pieces of 3-part adjustable hinges. 1 piece of 2-point locking system with swivel lever aluminium F1.
<b>Glazing:</b>	Pressure-resistant safety glazing fitted flush into sealing.
<b>Surface:</b>	Leaf and frame galvanized und primed with 2K-PUR primer (Very High Solid) similar RAL 7035.

### Supplementary Equipment

<b>Stainless Steel:</b>	Material 1.4301 (V2A) or 1.4404 (V4A), Surface mill finish or brushed.
<b>Painted:</b>	All parts painted in RAL-colours.



7.10.2\_HF 50-1\_EN

technical modifications reserved - edition 07/2024