

## Single Leaf Burglar Resistant ESG SEC-1 / RC3 Steel Grid Door

**Burglar Resistance**                      **RC3**                      **tested acc. to EN 1627**

### Optional Audited Additional Functions

- Stainless Steel
- RAL Painted

### Range of Dimension

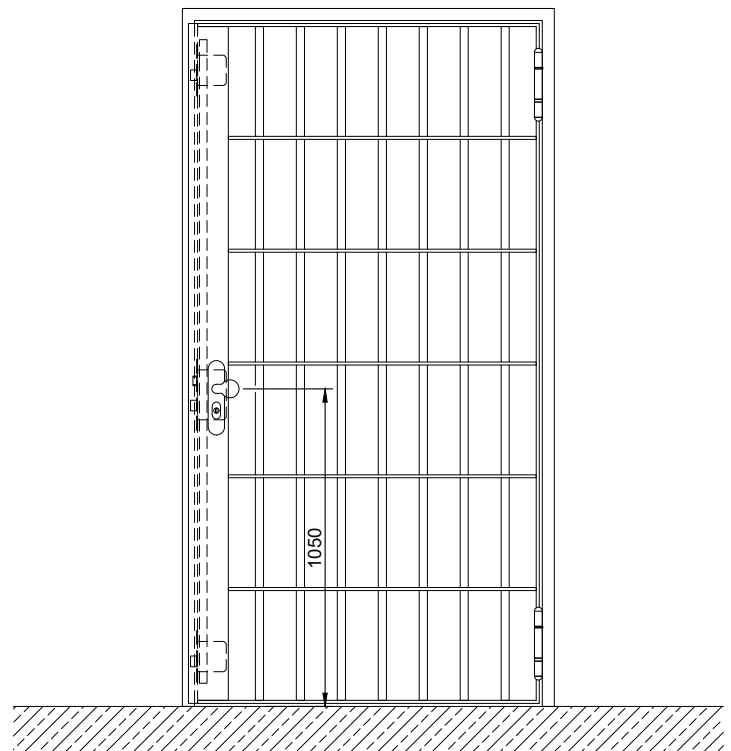
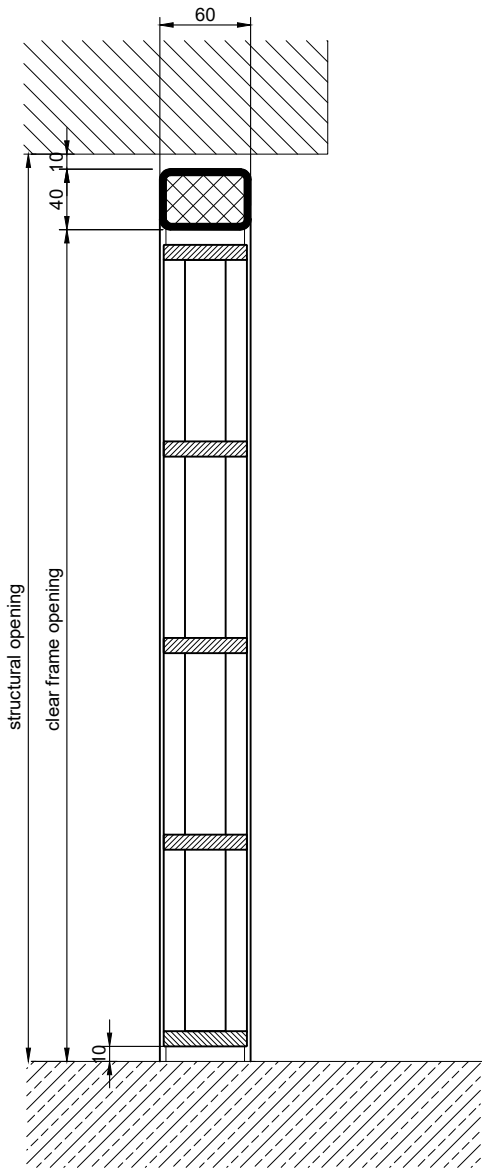
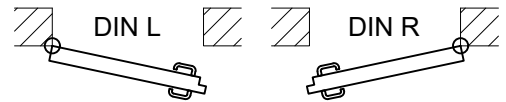
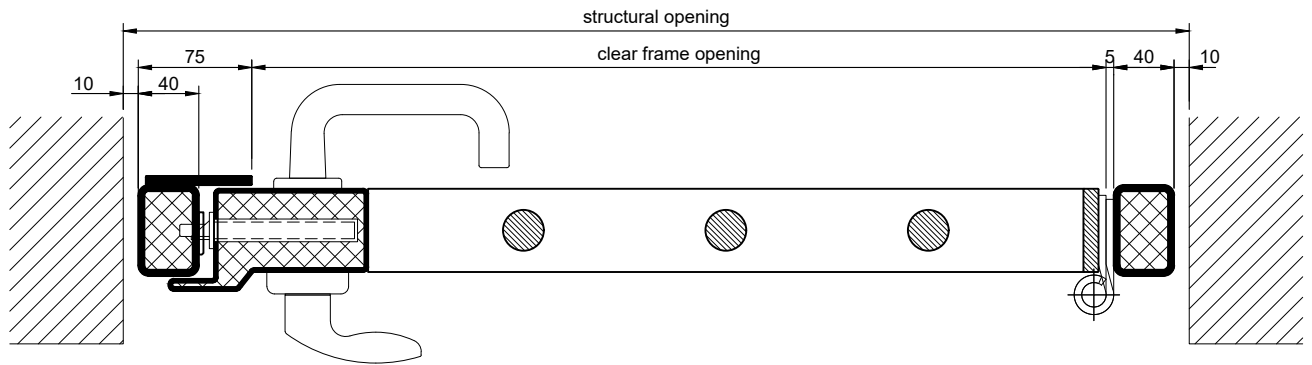
**Width** from 500 mm to 1650 mm  
**Height** from 800 mm to 3000 mm

### Technical Specification and Tender Text

<b>Product:</b>	<b>ESG SEC-1 / RC3 single leaf steele grid brand Buchele tested acc. to EN 1627</b>
<b>Grid Type:</b>	<b>ESG SEC-1 / RC3</b>
<b>Resistance Class:</b>	<b>RC3</b>
<b>Structural Opening:</b>	<b>.... x .... mm</b>
<b>Filling:</b>	Round bars made out of solid special steel. These round bars are welded to the frame profile all the way around. The distance between the individual round bars is max. 120 mm. The round bars are guided through a horizontal, centrally inserted, solid flat steel profile and welded all the way around. Depending on the grid height, one or more flat steel profiles are welded in horizontally. The distance between the frame profile and the horizontal flat steel profile must not exceed 350 mm. One side rebated with thin rebate. Without bottom stop.
<b>Threshold:</b>	Securing pin screwed into the door leaf rebate. Floor bracket as seperation sill. Surface galvanized and welded to the frame.
<b>Frame:</b>	Torsion-resistant angle frame 3-sided circumferential.
<b>Hinges:</b>	Three-part, height adjustable construction hinges with hing pin retention and ball bearing spacer for smooth door movement.
<b>Surface:</b>	hot-galvanized

### Supplementary Equipment

<b>Stainless Steel:</b>	Material 1.4301 (V2A) or 1.4404 (V4A), Surface raw-stained or glass bead blasted
<b>Painted:</b>	All parts painted in RAL-colour

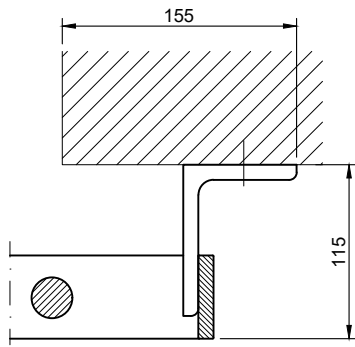


3.70.4\_SEC1 ESG-1 RC3\_EN

technical modifications reserved - edition 07/2024

## Options

pre-wall installation



## Combination with fixed grille sections (illustration of possible installation positions)

