

Heavy-Duty Burglar Resistant RC4 Steel Grid

Burglar Resistance **RC4** **tested acc. to EN 1627**

Optional Audited Additional Functions

- Stainless Steel
- RAL Painted

Range of Dimension

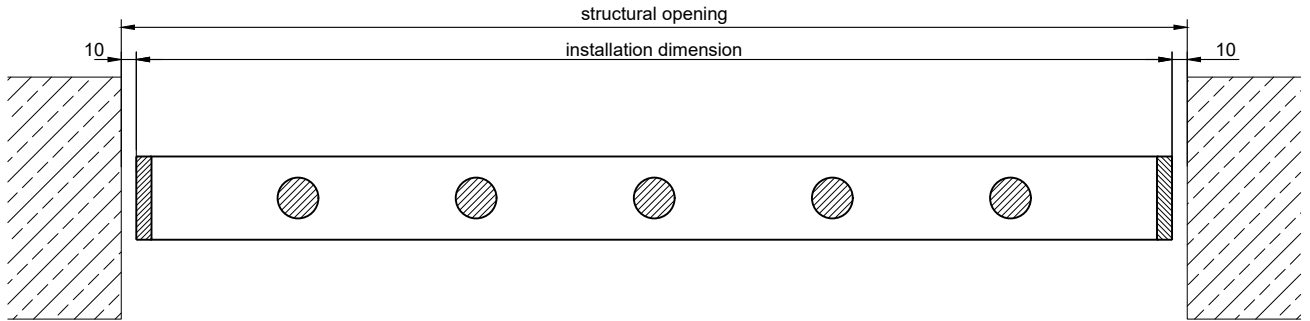
Four-sided Fastening:	Width: unlimited	Height: unlimited
Lateral Fastening:	Width: max. 3000 mm	Height: unlimited
Upper / Lower Fastening:	Width: unlimited	Height: max. 3000 mm

Technical Specification and Tender Text

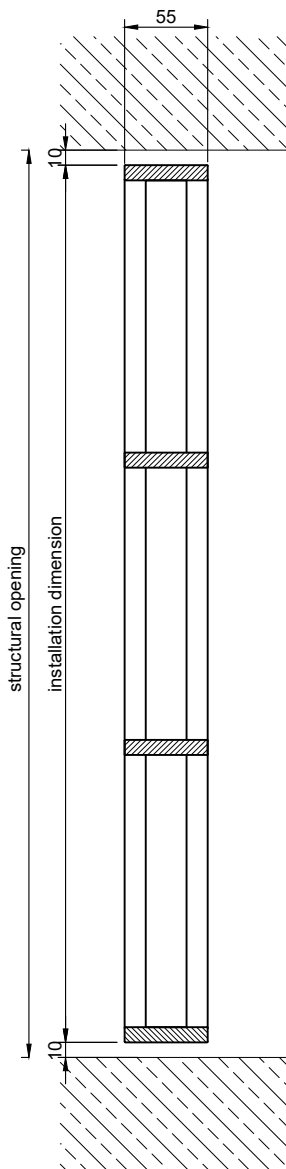
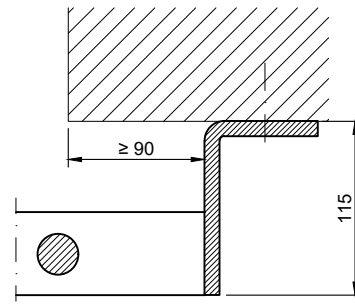
Product:	ESG / RC4 heavy-duty burglar resistant steele grid brand Buchele tested acc. to EN 1627
Grid Type:	ESG SEC / RC4
Resistance Class:	RC4
Structural Opening: x mm
Filling:	Round bars made out of solid special steel. These round bars are welded to the frame profile all the way around. The distance between the individual round bars is max. 120 mm. The round bars are guided through a horizontal, centrally inserted, solid flat steel profile and welded all the way around. Depending on the grid height, one or more flat steel profiles are welded in horizontally. The distance between the frame profile and the horizontal flat steel profile must not exceed 350 mm.
Frame:	Torsion-resistant angle frame 4-sided circumferential, fixed in the masonry with special screws. Alternative fastening with wall anchors, which are drilled and grouted into the masonry.
Surface:	hot-galvanized

Supplementary Equipment

Door:	Linking / installation of an openable, single leaf door type ESG SEC-1
Stainless Steel:	Material 1.4301 (V2A) or 1.4404 (V4A), Surface raw-stained or glass bead blasted
Painted:	All parts painted in RAL-colour



pre-wall installation



free physical ventilation cross-section 65-80 % (according to dimension)

