

Single Leaf ESG SEC-1 / RC3 Burglar Resistant Grid Door

Burglar Protection **RC3** **tested acc. to EN 1627**

Range of Dimension

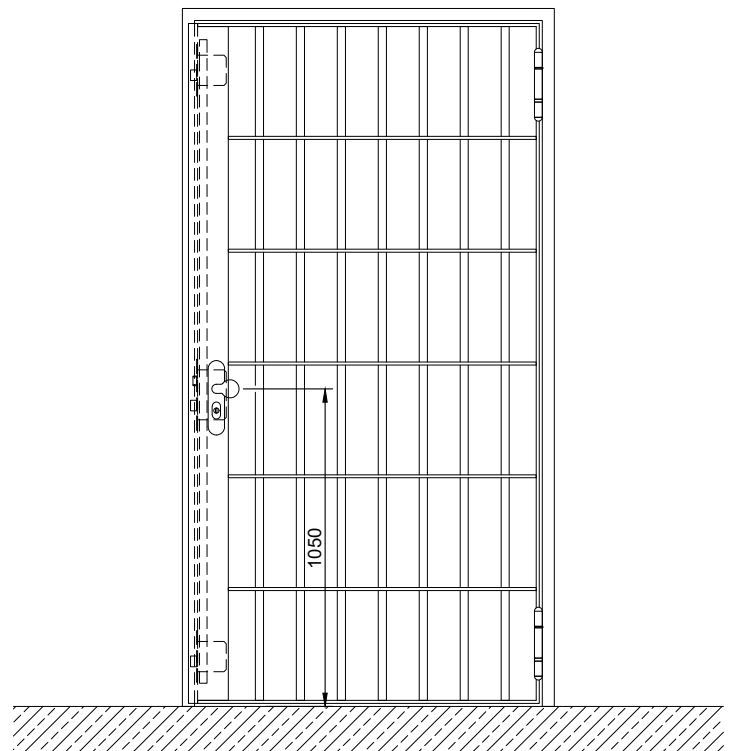
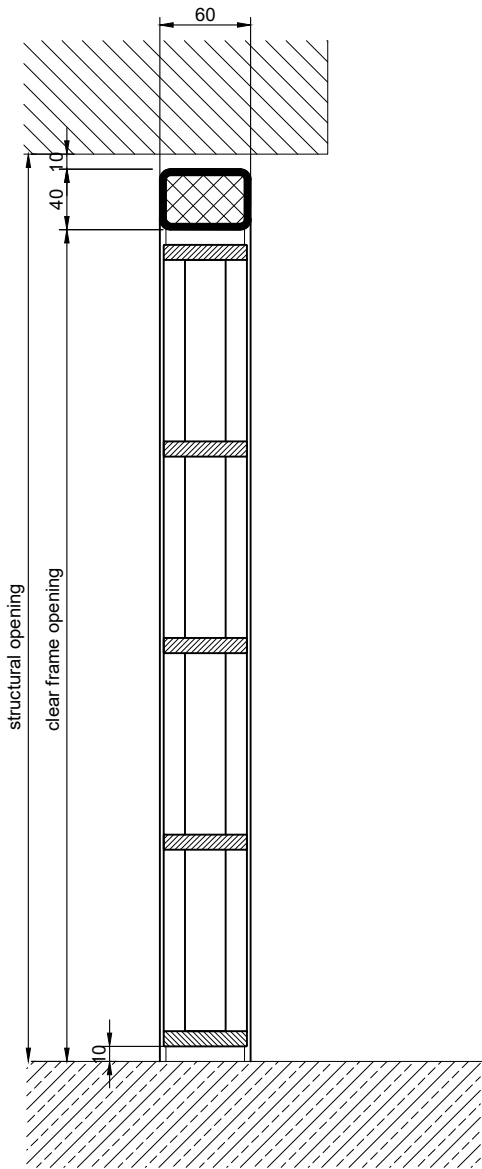
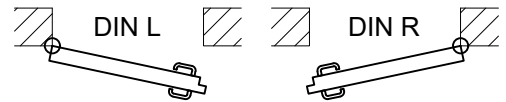
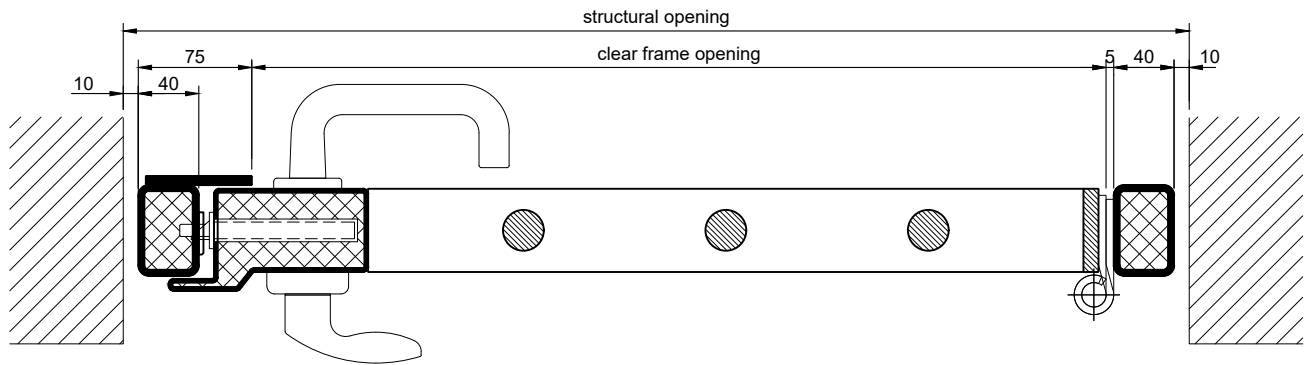
Width from 500 mm to 1650 mm
Height from 800 mm to 3000 mm

Technical Specification and Tender Text

Product:	ESG SEC-1 / RC3 single leaf grid door brand Buchele tested acc. to EN 1627
Door Type:	ESG SEC-1 / RC3
Resistance Class:	RC3
Structural Opening: x mm
Door Leaf:	Round bars made of solid special steel. These round bars are welded to the frame profile all the way around. The distance between the individual round bars is max. 120 mm. The round bars are guided through a horizontal, centrally inserted, solid flat steel profile and welded into it all the way around. Depending on the grid height, one or more flat steel profiles are welded in horizontally. The distance between the frame profile and the horizontal flat steel profile must not be more than 350 mm, rebated on one side with thin rebate Without bottom stop. Securing pin screwed in door leaf rebate.
Threshold:	Floor bracket as separation sill. Surface galvanized and welded to the frame.
Frame:	Torsion-resistant solid steel tube frame 3-sided all-round
Hinges:	Three-part, height adjustable construction hinges with hinge pin retention and ball bearing spacer ring for smooth door movement.
Lock:	4-point security mortise lock with latch lever function acc. to EN 12209 (prepared for installation of a profile cylinder lock, provided by customer)
Surface:	Door leaf and frame hot-galvanized.

Supplementary Equipment

Stainless Steel:	Material 1.4301 (V2A) or 1.4404 (V4A), Surface raw stained or glass bead blasted.
Painted:	All parts painted in RAL-colour.

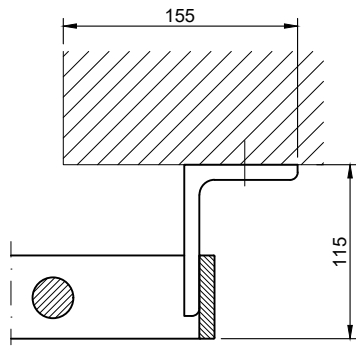


3.0.7_ESG SEC-1 RC3_EN

technical modifications reserved - edition 06/2024

Options

pre-wall installation



Combination with fixed Grid Parts (illustration of possible mounting positions)

