

Acoustic Window

Sound Insulation**R_{w,P} 44 dB****tested acc. to EN ISO 10140-2**

Optional Audited Additional Functions

- Fire Protection	EI ₂₃₀ / F30 to EI ₂₉₀ / F90	tested acc. to EN 1363-1
- Burglar Protection	RC2 / RC3 / RC4	tested acc. to EN 1627
- Impact Resistant	P1A to P5A	tested acc. to EN 356
- Penetration Resistant	P6B to P8B	tested acc. to EN 1063
- Bullet Resistance	FB4-NS to FB7-NS	tested acc. to EN 1522
	BR1-NS to BR7-NS	tested acc. to EN 1063
- Blast Resistance	up to 20 kPa	tested acc. to EN 13124-1
- Explosion Resistance	ER1-NS to ER4-NS	tested acc. to EN 1522
- Explosion Protection	up to zone 1/21	acc. to EN 1127-1 or ATEX 2014/34/EU

Range of Dimension

Width from 400 mm to 4000 mm

Height from 400 mm to 2000 mm

Technical Specification and Tender Text

Product:	SFB acoustic window brand Buchele tested acc. to EN ISO 10140-2
Window Type:	SFB 44
Sound Insulation R_{w,P}	44 dB
Structural Opening: x mm
Frame:	4-sided circumferential rebated, one-piece encasing frame adapted to the wall thickness with clip-in glazing beads on both sides. Without edge damping, therefore smooth visible area between the glazing with matt black coating. On request, the visible area between the glazing can also be coated in other RAL colours.
Glazing:	Two acoustically separated, vertically mounted individual panes of laminated safety glass fixed in the frame in a double-sided foam rubber bed.
Surface:	Frame and glazing beads galvanized and coated with 2K-PUR primer (Very High Solid) similar to RAL 7035.

Supplementary Equipment

Glazing Types:

Installation of non-reflective glass
Installation of white glass

Edge Damping:

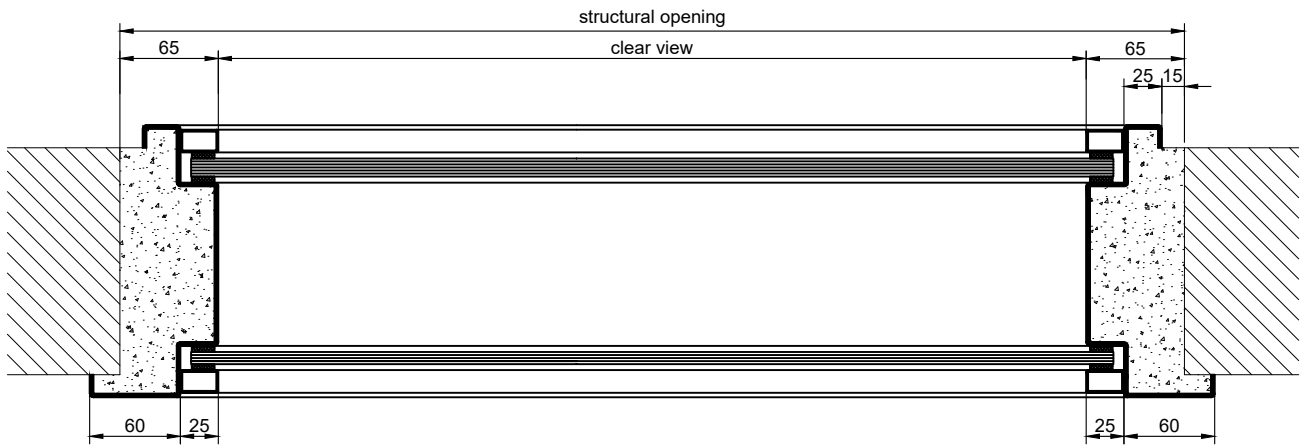
Individual full-surface edge damping adapted to the wall thickness made out of matt black coated perforated sheet with mineral fibre lining. The edge damping is fixed invisibly in the frame so that no visually disturbing elements affect the uniform appearance of the edge damping. On request, the edge damping can also be coated in other RAL colours.

Note:

Edge damping is not required to achieve sound insulation $R_{w,P} 44$ dB.

BUCHELE DELUXE:

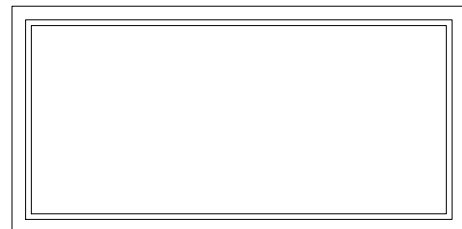
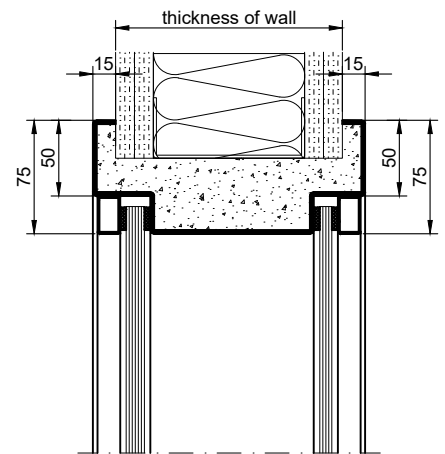
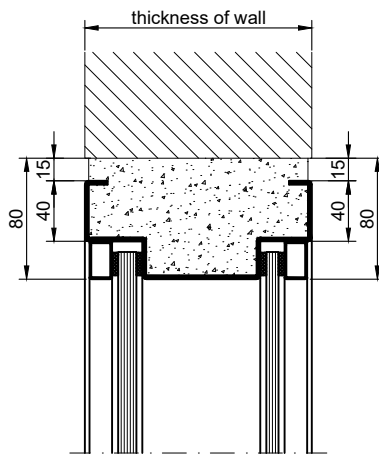
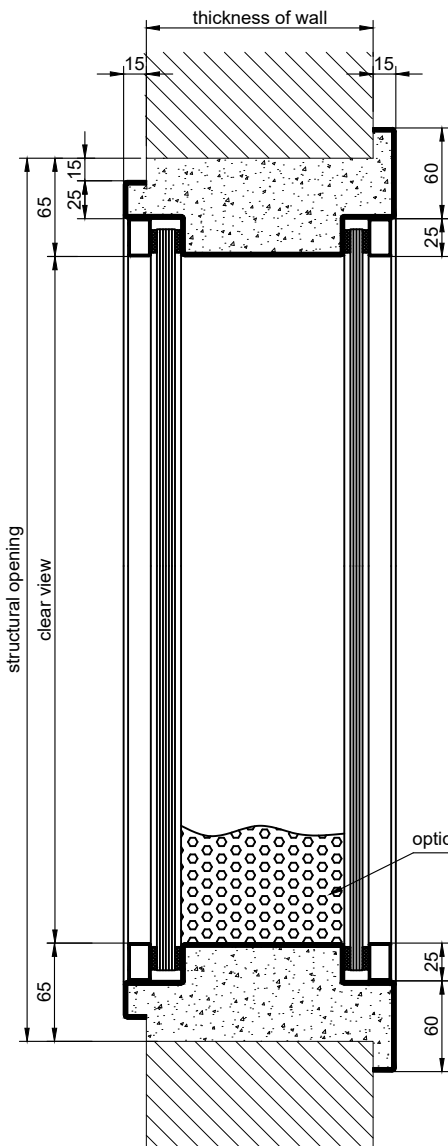
The exclusive surface coating.



encasing frame

block frame

2-part encasing frame



2.70.1_SFB 44_EN

technical modifications reserved - edition 06/2024